

Part No. 1002298

Prestta™ WLAN with through hole features in unit

2.4 GHz



Ethertronics' Prestta series antennas deliver on the key needs of device designers for higher functionality and performance in smaller/thinner designs. These innovative antennas provide compelling advantages for WLAN enabled devices, media players, routers, and other wireless devices.

Real-World Performance and Implementation

Ethertronics vertical improvement antennas are designed to produce optimum performances and radiation pattern in the 3D plan, offering an increase coverage range without compromising on footprint dimensions.

Greater Flexibility

Ethertronics' first-in-class technology enables you to develop concept designs that are more advanced and that deliver superior performance in reception critical applications.

Stamped Metal Antenna WLAN

5 GHz (802.11 a)

KEY BENEFITS

Stay-in-Tune

Ethertronics antenna technology provides superior RF field containment, resulting in less interaction with surrounding components.

Quicker Time-to-Market

By optimizing antenna size, performance and emissions, customer and regulatory specifications are more easily met.

Reliability

Fully compliant with the European RoHS Directive 2011/65/EU.

APPLICATIONS

- Embedded design
- Medical, Routers, STB
- Gateway, Access Point
- M2M, Industrial devices
- Monitors, Television

Electrical Specifications

Typical Characteristics in unit for different locations

Location Frequency	5G1 Antenna 5.150 – 5.825 GHz	5G2 Antenna 5.150 – 5.825 GHz
Peak Gain	3.75 dBi	4.50 dBi
Average Efficiency	62%	60%
VSWR Match	2.6 :1 max	
Feed Point Impedance	50 ohms unbalanced	
Polarization	Linear	
Power Handling	0.5 Watt CW	

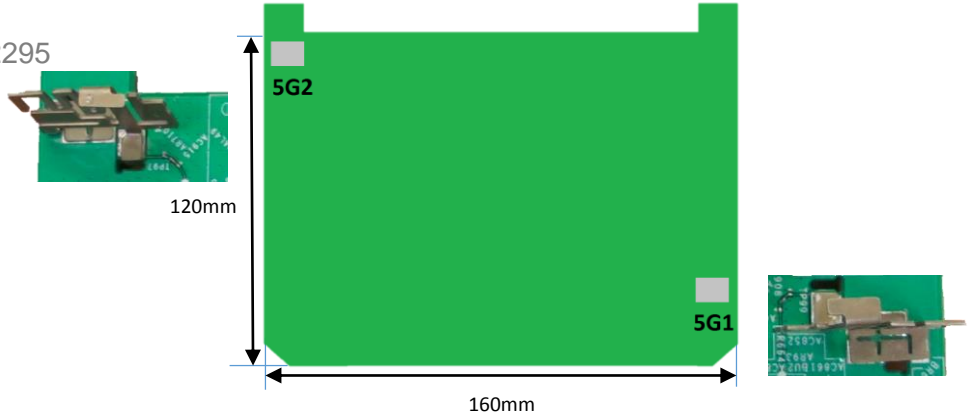
Mechanical Specifications

Size	15.60 x 16.10 x 9.70 mm (thickness 0.5mm)
Mounting	Pick and place, Surface mount
Weight	0.75 g
Packaging	Tape & Reel

5GHz Ethertronics' Prestta™ Embedded Antenna Specifications
 Ethertronics produces a wide variety of standard and custom antennas to meet user needs.
 Below are the typical performances in specific unit

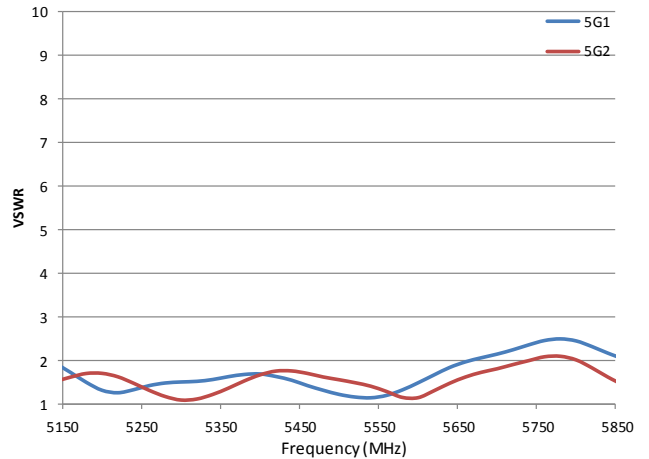
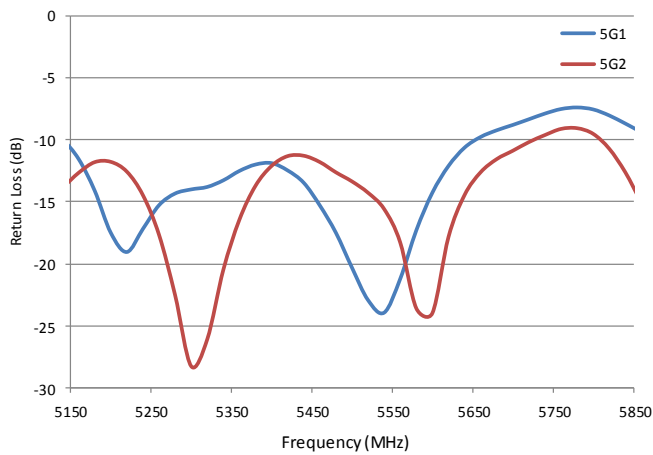
Test board layout and dimensions

Reference test board using two 1002295



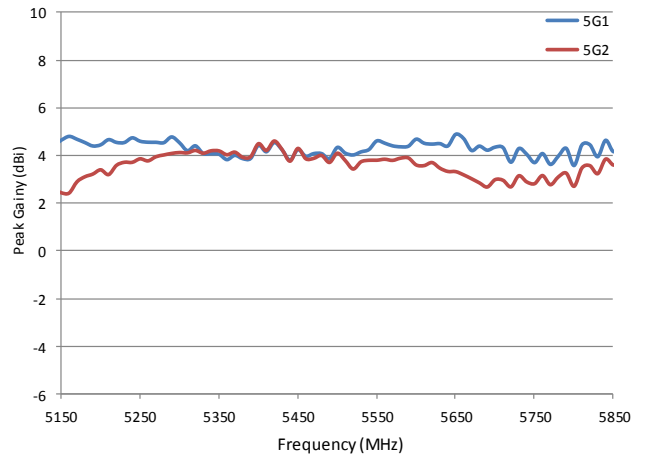
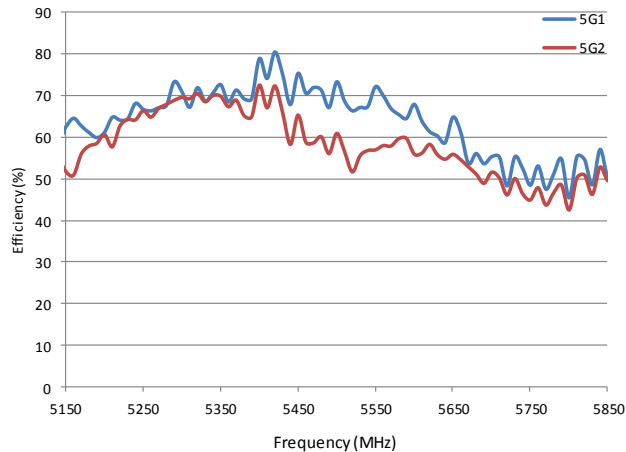
Typical Return Loss and VSWR Plots

Measured in Test Board



Typical Efficiency and Peak Gain Plots

Measured in Test Board

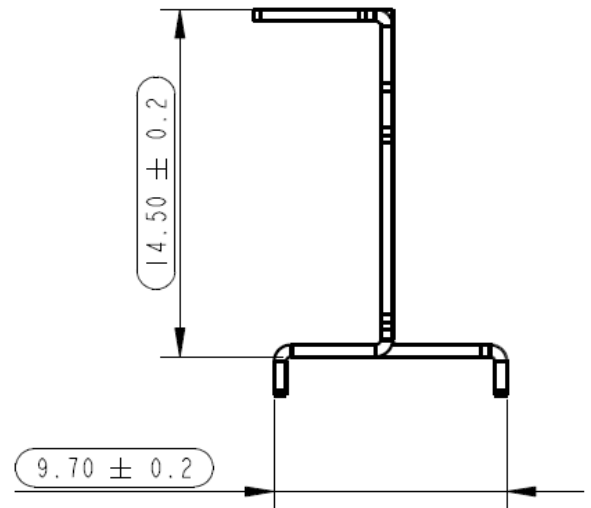
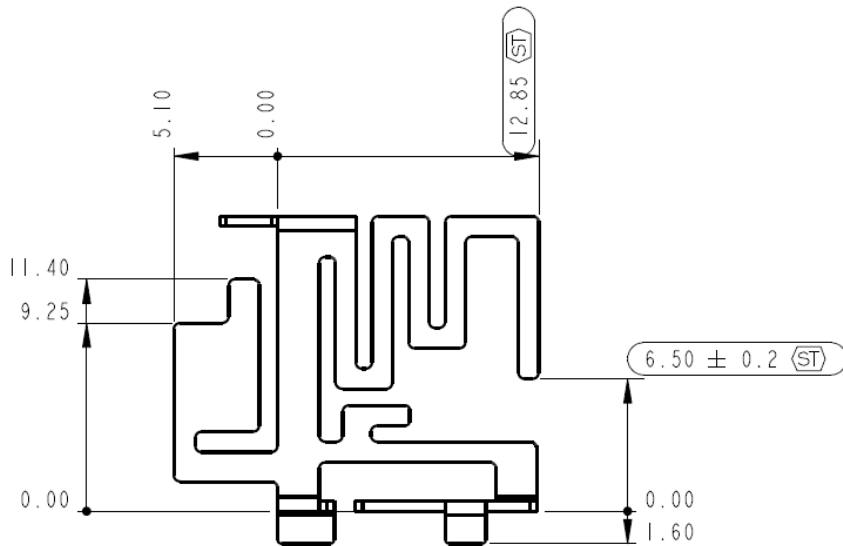
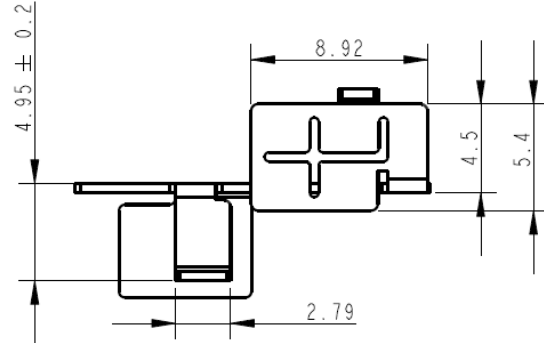
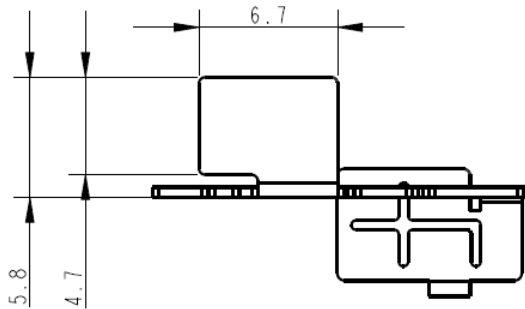


*All dimensions provided in this document are for informational purposes only.

5GHz Ethertronics' Prestta™ Embedded Antenna Specifications
 Ethertronics produces a wide variety of standard and custom antennas to meet user needs.
 Below are the typical performances in specific unit

Typical Mechanical dimensions

For reference only, in millimeters

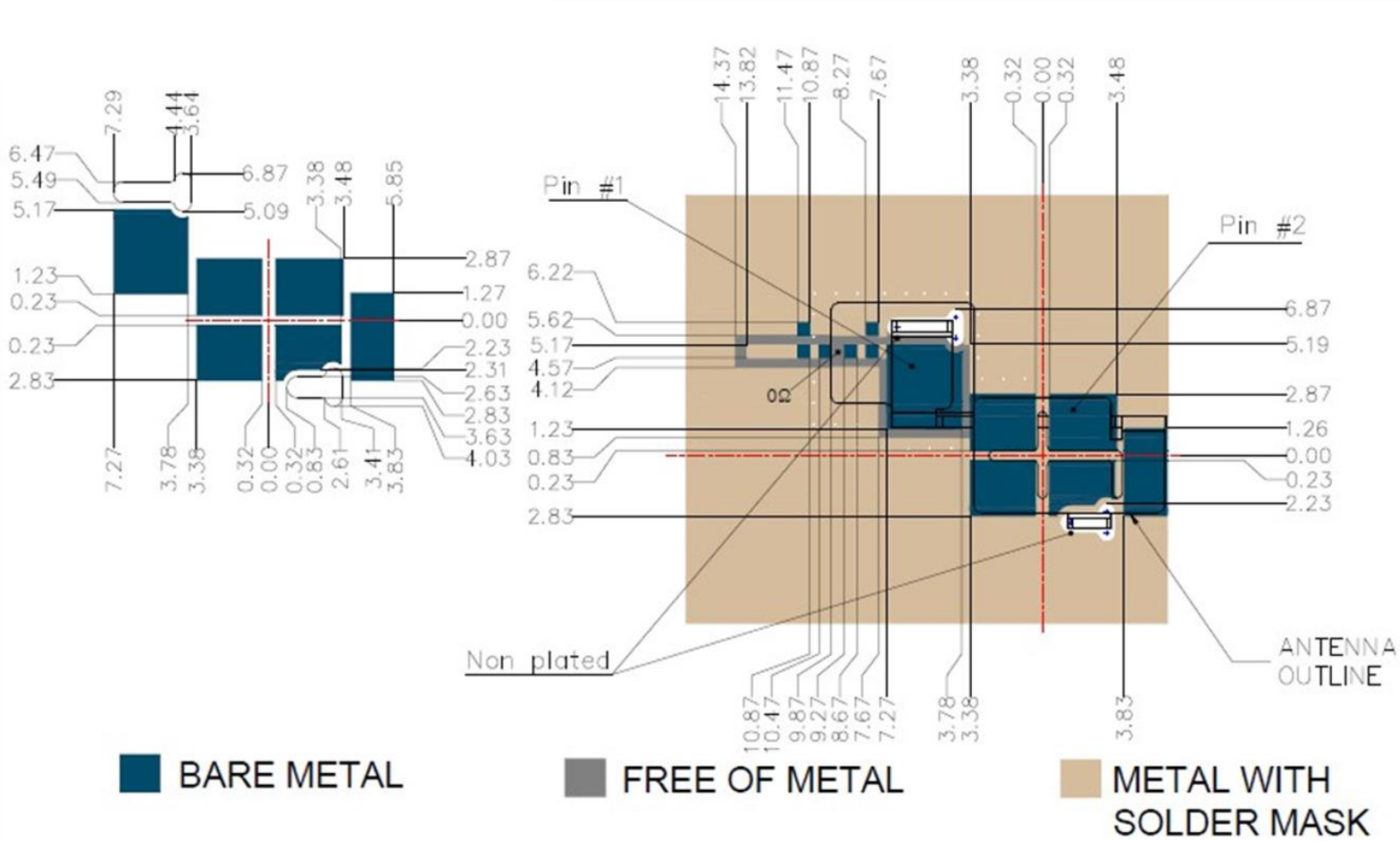


*All dimensions provided in this document are for informational purposes only.

5GHz Ethertronics' Prestta™ Embedded Antenna Specifications
 Ethertronics produces a wide variety of standard and custom antennas to meet user needs.
 Below are the typical performances in specific unit

Typical Antenna Footprint

For reference only, in millimeters



*All dimensions provided in this document are for informational purposes only.